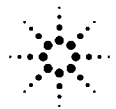


Agilent 16085B Terminal Adapter

Operation and Service Manual

Second Edition



Agilent Technologies

Agilent Part No. 16085-90001

March 2000

Printed in Japan

Notices

The information contained in this document is subject to change without notice.

This document contains proprietary information that is protected by copyright. All rights are reserved. No part of this document may be photocopied, reproduced, or translated to another language without the prior written consent of the Agilent Technologies.

Agilent Technologies Japan, Ltd.

Component Test PGU-Kobe

1-3-2, Murotani, Nishi-Ku, Kobe-shi, Hyogo, 651-2241 Japan

Copyright © Agilent Technologies Japan, Ltd. 1990, 2000

Manual Printing History

The manual's printing date and part number indicate its current edition. The printing date changes when a new edition is printed. (Minor corrections and updates that are incorporated at reprint do not cause the date to change.) The manual part number changes when extensive technical changes are incorporated.

March 1990 First Edition (part number: 16085-90001)

March 2000 Second Edition (part number: 16085-90001)

Safety Summary

The following general safety precautions must be observed during all phases of operation, service, and repair of this instrument. Failure to comply with these precautions or with specific WARNINGS elsewhere in this manual may impair the protection provided by the equipment. In addition it violates safety standards of design, manufacture, and intended use of the instrument.

Agilent Technologies assumes no liability for the customer's failure to comply with these requirements.

- **Ground The Instrument**

To avoid electric shock hazard, the instrument chassis and cabinet must be connected to a safety earth ground by the supplied power cable with earth blade.

- **DO NOT Operate In An Explosive Atmosphere**

Do not operate the instrument in the presence of flammable gasses or fumes. Operation of any electrical instrument in such an environment constitutes a definite safety hazard.

- **DO NOT Substitute Parts Or Modify Instrument**

Because of the danger of introducing additional hazards, do not install substitute parts or perform unauthorized modifications to the instrument. Return the instrument to a Agilent Technologies Sales and Service Office for service and repair to ensure that safety features are maintained.

- Dangerous Procedure Warnings

Warnings, such as the example below, precede potentially dangerous procedures throughout this manual. Instructions contained in the warnings must be followed.

Safety Symbol

General definitions of safety symbols used on the instrument or in manuals are listed below.



Instruction Manual symbol: the product is marked with this symbol when it is necessary for the user to refer to the instrument manual.



Alternating current.



Direct current.



On (Supply).



Off (Supply).



In position of push-button switch.



Out position of push-button switch.



Frame (or chassis) terminal. A connection to the frame (chassis) of the equipment which normally include all exposed metal structure.

WARNING

This warning sign denotes a hazard. It calls attention to a procedure, practice, condition or the like, which, if not correctly performed or adhered to, could result in injury or death to personnel.

CAUTION

This Caution sign denotes a hazard. It calls attention to a procedure, practice, condition or the like, which, if not correctly performed or adhered to, could result in damage to or destruction of part or all of the product.

NOTE

Note denotes important information. It calls attention to a procedure, practice, condition or the like, which is essential to highlight.

Certification

Agilent Technologies certifies that this product met its published specifications at the time

of shipment from the factory. Agilent Technologies further certifies that its calibration measurements are traceable to the United States National Institute of Standards and Technology, to the extent allowed by the Institution's calibration facility, or to the calibration facilities of other International Standards Organization members.

Warranty

This Agilent Technologies instrument product is warranted against defects in material and workmanship for a period corresponding to the individual warranty periods of its component products. Instruments are warranted for a period of one year. Fixtures and adapters are warranted for a period of 90 days. During the warranty period, Agilent Technologies will, at its option, either repair or replace products that prove to be defective.

For warranty service or repair, this product must be returned to a service facility designated by Agilent Technologies. Buyer shall prepay shipping charges to Agilent Technologies and Agilent Technologies shall pay shipping charges to return the product to Buyer. However, Buyer shall pay all shipping charges, duties, and taxes for products returned to Agilent Technologies from another country.

Agilent Technologies warrants that its software and firmware designated by Agilent Technologies for use with an instrument will execute its programming instruction when properly installed on that instrument. Agilent Technologies does not warrant that the operation of the instrument, or software, or firmware will be uninterrupted or error free.

Limitation of Warranty

The foregoing warranty shall not apply to defects resulting from improper or inadequate maintenance by Buyer, Buyer-supplied software or interfacing, unauthorized modification or misuse, operation outside the environmental specifications for the product, or improper site preparation or maintenance.

IMPORTANT

No other warranty is expressed or implied. Agilent Technologies specifically disclaims the implied warranties of merchantability and fitness for a particular purpose.

Exclusive Remedies

The remedies provided herein are buyer's sole and exclusive remedies. Agilent Technologies shall not be liable for any direct, indirect, special, incidental, or consequential damages, whether based on contract, tort, or any other legal theory.

Assistance

Product maintenance agreements and other customer assistance agreements are available for Agilent Technologies products.

For any assistance, contact your nearest Agilent Technologies Sales and Service Office.

Addresses are provided at the back of this manual.

1. INTRODUCTION

This operation note provides the information necessary to use and service the HP 16085B Terminal Adapter. The specifications for the 16085B are listed in Table 1. An exploded view of the 16085B, for parts identification and assembly/disassembly, is shown in Figure 1. Figure 2 shows an exploded view of the APC-7 connector.

2. DESCRIPTION

The 16085B Terminal Adapter converts the 4-terminal pair configuration of HP's impedance measurement instruments to an APC-7 coaxial connector for connection of the 16092A, 16093A, and 16093B test fixtures. These test fixtures are specially designed for measuring discrete components with radial and axial leads, and chip components. Table 2 shows a simplified diagram of interconnection between APC-7 and BNC connectors and lists the typical values of the 16085B's residual components.

Table 1. Specifications

Terminals: APC-7 coaxial connector, 2-terminal configuration. The BNC connectors are compatible with the 4-terminal-pair measurement terminals of HP's impedance measurement instruments.

Frequency Range: dc to 40MHz

DC Bias Voltage: $\pm 40V$ max.

Dimensions in mm (inches): 178 (7.0) W x 90 (3.5) H x 114 (4.5) D

Weight in grams (lbs.): approximately 550 (1.2)

OPERATION NOTE

Table 2. 16085B Circuit Configuration and Residual Components

Residual Inductance, L_o : $32 \text{ nH} \pm 5 \text{ nH}$

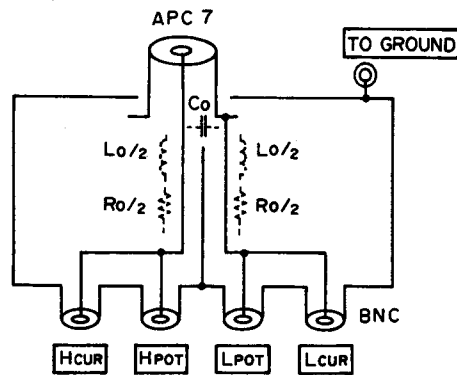
Stray Capacitance, C_o : $1.7 \text{ pF} \pm 0.3 \text{ pF}$

Residual Resistance, R_o : Less than $0.04(1 + \sqrt{f}) \Omega$

(f is the test frequency in MHz. The frequency range is dc to 40MHz.)

Note

- 1) Residual elements, L_o , C_o and R_o are shown in the figure below.
- 2) The connectors fringe capacitance is included with C_o , the stray capacitance. The Residual elements can be compensated for by making ZERO-OPEN/SHORT measurements.
- 3) The uncertainty of the residual impedances are, $L < 1 \text{ nH}$, $C < 0.1 \text{ pF}$, $R < 5 \text{ m}\Omega$



3. MAINTENANCE

Figure 1 shows an exploded view of the 16085B Terminal Adapter and a list of replaceable parts. Do not disassemble the unit any further than shown in Figure 1. Maintenance consists principally of cleaning the contacts and replacing worn or damaged parts. To order replacement parts, use the HP part numbers listed in Figure 1. If a faulty part is located within an assembly that cannot be disassembled, order the next higher assembly or return the whole unit to your nearest HP Sales/Service Office for repair or replacement. The cleaning and replacement instructions for the APC-7 connector contact are as follows.

1) Cleaning the APC-7 Connector Contact

The APC-7 connector contact surface must be kept clean. HP recommends periodic cleaning using a lint-free cloth, and if a cleaning fluid is needed, use **ISOPROPYL ALCOHOL** only.

2) Replacement of the APC-7 Connector Contact

To maintain optimum contact between the APC-7 connector contact and the test fixture, replace the RF connector contact (PN 1250-0816) every 1000 connections/disconnections or as required by wear or damage). An exploded view of the RF connector contact and its replacement procedure are shown in Figure 2.

The following procedure should be used to replace the RF connector contact.

- (1) Rotate the APC-7 connector (PN 1250-1466) counterclockwise until the (*) marked portion appears.
- (2) Use a 12mm wrench and turn the connector counterclockwise to remove it.
- (3) The RF connector contact (PN 1250-0816) is now exposed as shown in Figure 2.
- (4) The RF connector contact can be removed by turning it counterclockwise using a pair of needle-nose pliers with protective rubber pads on the tips.

OPERATION NOTE

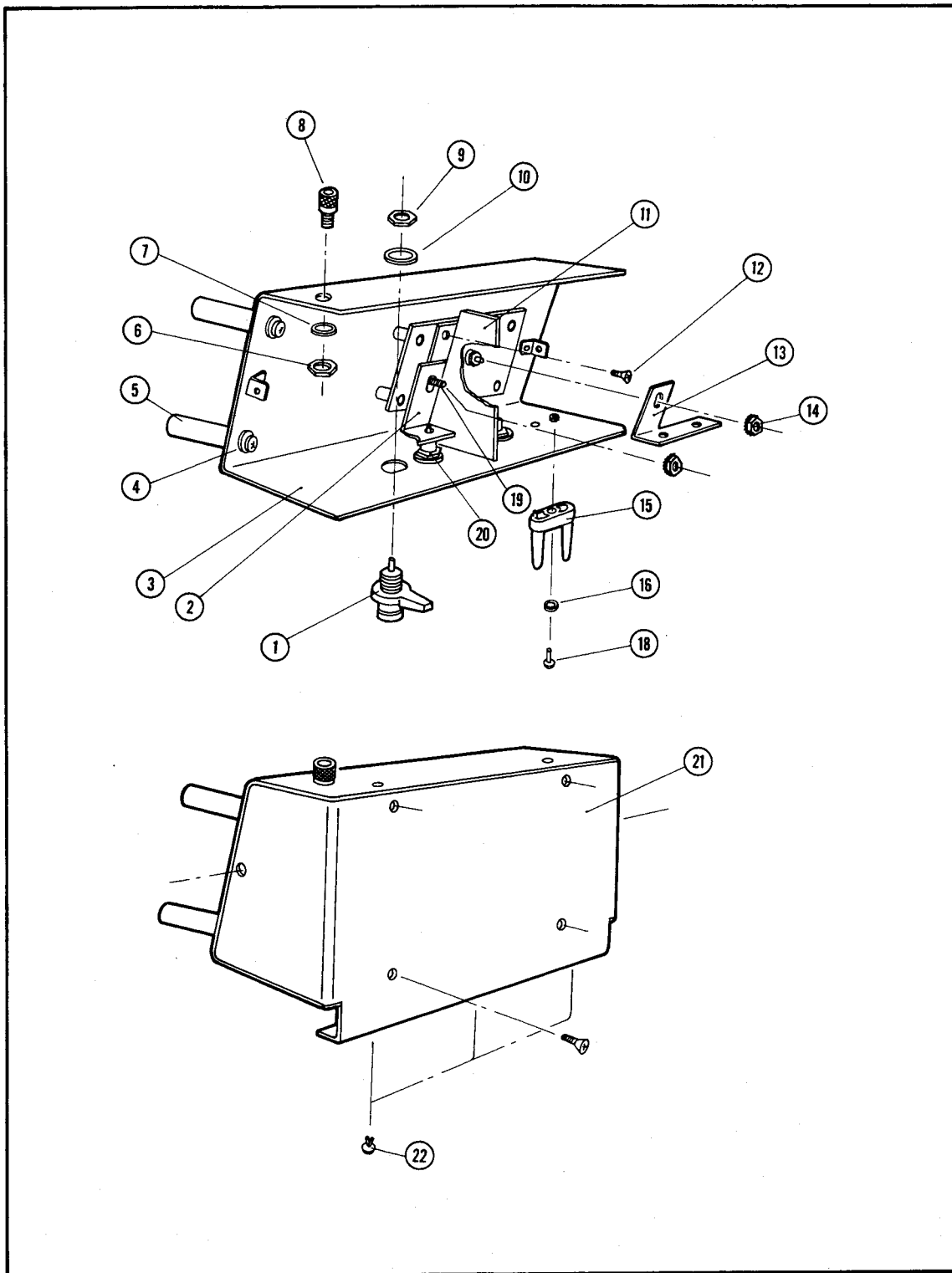


Figure 1. Parts Identification for 16085A (Sheet 1 of 2).

OPERATION NOTE

Item No.	Part No.	Qty.	Description
1	16012-7122	2	BNC ASSY.
2	16085-01212	1	ANGLE(B)
3	16085-04011	1	TOP COVER
4	04192-40001	4	INSULATOR
5	16085-26011	2	POST
6	2950-0006	1	NUT
7	2190-0084	1	WASHER
8	1510-0130	1	GND POST
9	2950-0043	4	NUT
10	2190-0016	4	WASHER
11	16085-00612	1	SHIELD PLATE
12	0515-0914	17	SCREW
13	16085-01211	1	ANGLE (A)
14	0535-0031	2	NUT
15	16047-40000	1	STOPPER
16	2190-0206	1	WASHER
17			not assigned
18	0515-1551	1	SCREW
19	16085-24001	1	STUD (A)
20	1250-1798	2	BNC CONNECTOR
21	16085-04012	1	BOTTOM COVER
22	6960-0016	3	PLUG-HOLE
23	1250-1466	1	APC-7
24	1250-0816	1	RF CONNECTOR
25	5040-0306	1	INSULATOR
26	0515-1005	6	SCREW
27	16085-25011	1	INSULATOR
28	16085-21011	1	FLANGE
29	16085-25012	1	BUSH
30	16085-21012	1	BUSH
31	16085-23001	1	CENTER CONDUCTOR
32	5040-0306	1	INSULATOR
33	16085-00611	1	PLATE
34	16085-24002	1	STUD (B)

Figure 1. Parts Identification for 16085A (Sheet 2 of 2).

OPERATION NOTE

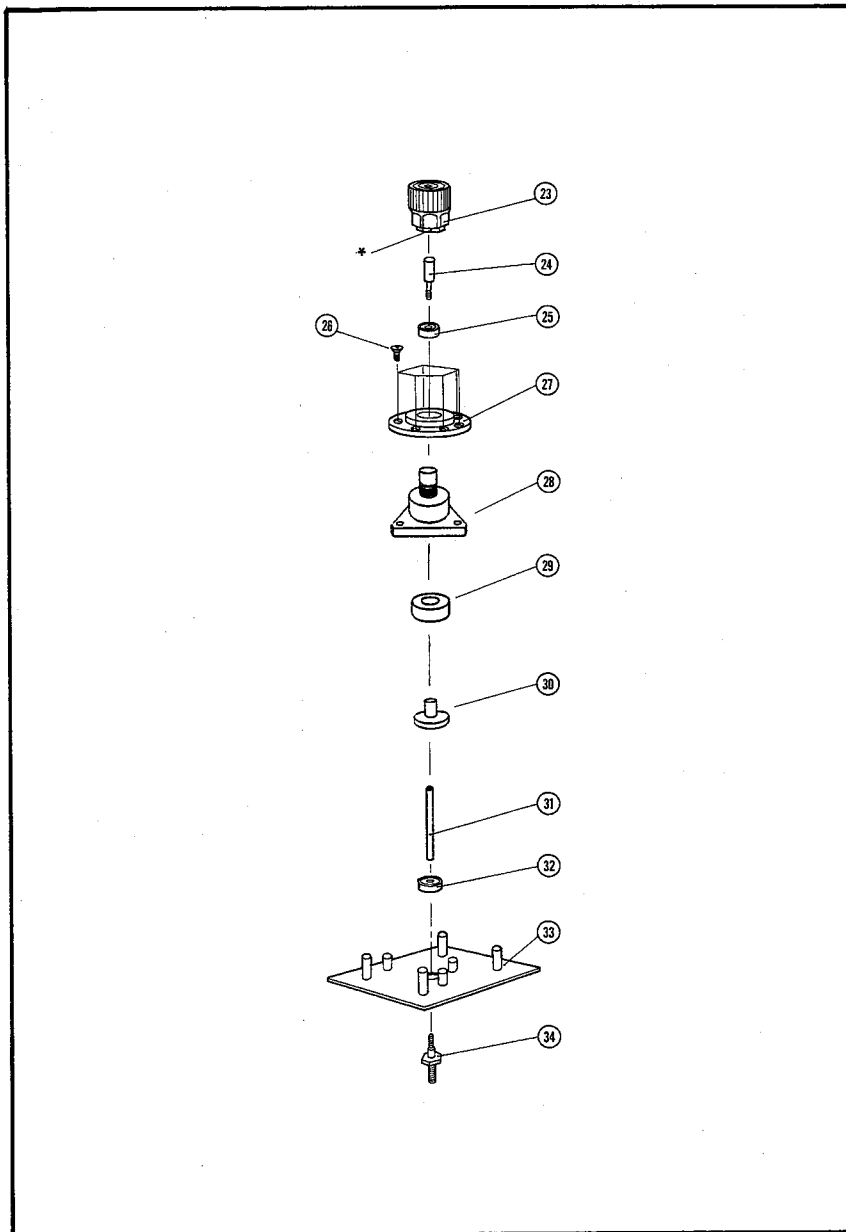


Figure 2. Exploded View of APC-7 RF Connector Assembly

REGIONAL SALES AND SUPPORT OFFICES

For more information about Agilent Technologies test and measurement products, applications, services, and for a current sales office listing, visit our web site: <http://www.agilent.com/find/tmdir>. You can also contact one of the following centers and ask for a test and measurement sales representative.

11/29/99

United States:

Agilent Technologies
Test and Measurement Call Center
P.O.Box 4026
Englewood, CO 80155-4026
(tel) 1 800 452 4844

347 Burwood Highway
Forest Hill, Victoria 3131
(tel) 1-800 629 485 (Australia)
(fax) (61 3) 9272 0749
(tel) 0 800 738 378 (New Zealand)
(fax) (64 4) 802 6881

Canada:

Agilent Technologies Canada Inc.
5150 Spectrum Way
Mississauga, Ontario
L4W 5G1
(tel) 1 877 894 4414

Asia Pacific:

Agilent Technologies
24/F, Cityplaza One, 1111 King's Road,
Taikoo Shing, Hong Kong
(tel) (852)-3197-7777
(fax) (852)-2506-9284

Europe:

Agilent Technologies
Test & Measurement
European Marketing Organization
P.O.Box 999
1180 AZ Amstelveen
The Netherlands
(tel) (31 20) 547 9999

Japan:

Agilent Technologies Japan Ltd.
Call Center
9-1, Takakura-Cho, Hachioji-Shi,
Tokyo 192-8510, Japan
(tel) (81) 426 56 7832
(fax) (81) 426 56 7840

Latin America:

Agilent Technologies
Latin American Region Headquarters
5200 Blue Lagoon Drive, Suite #950
Miami, Florida 33126
U.S.A.
(tel) (305) 267 4245
(fax) (305) 267 4286

Australia/New Zealand:

Agilent Technologies Australia Pty Ltd

